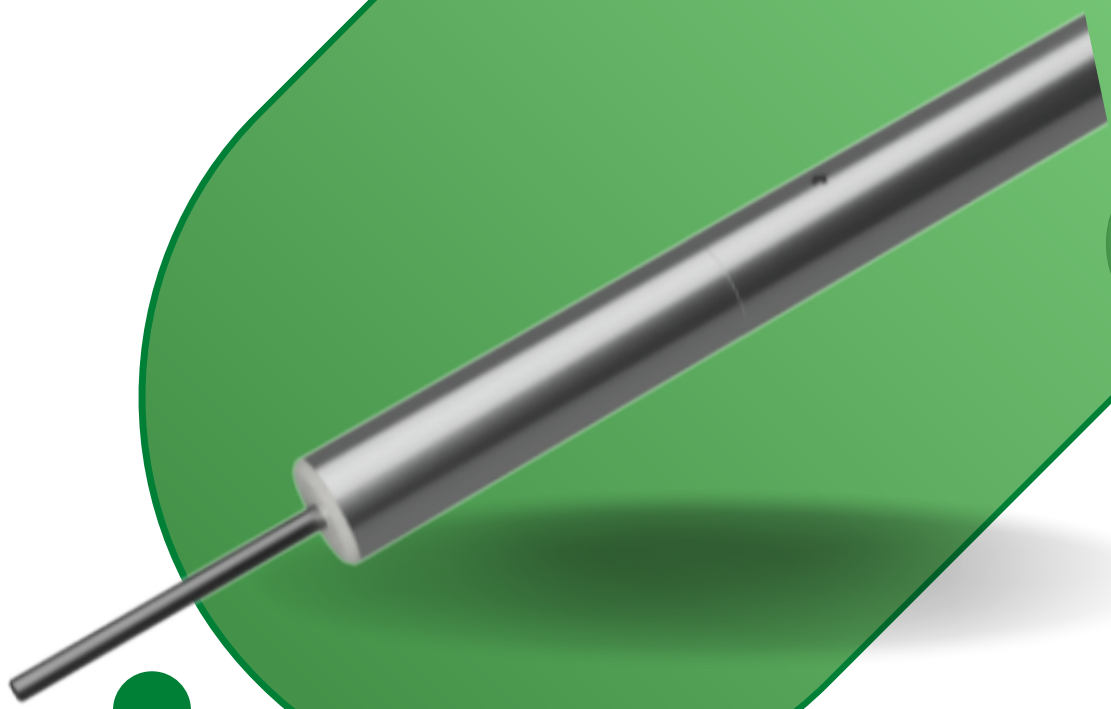


DATA SHEET

SENSOR
DH15

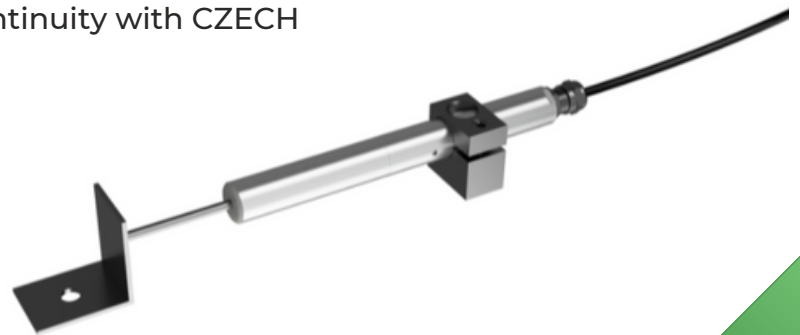


SENSOR

DH15



- LVDT type sensor for relative displacement changes
- Robust design
- Extremely high accuracy, sensitivity and repeatability
- Accredited calibrated - metrological continuity with CZECH METROLOGY INSTITUTE



SPECIFICATIONS

LVDT

Range:	15 mm
Repeatability:	5 μ m
Resolution:	5 μ m
Maximum measurement frequency:	500 Hz
Dimensions with antenna :	18 mm x 18 mm x 180 mm without extendable part, 18 mm x 18 mm x 235 mm with extendable part
Weight:	100g
Temperature range:	from -40 to +90 °C
Protection class:	IP 65 - complete protection against dust and protection against splash water, can be modified to IP68